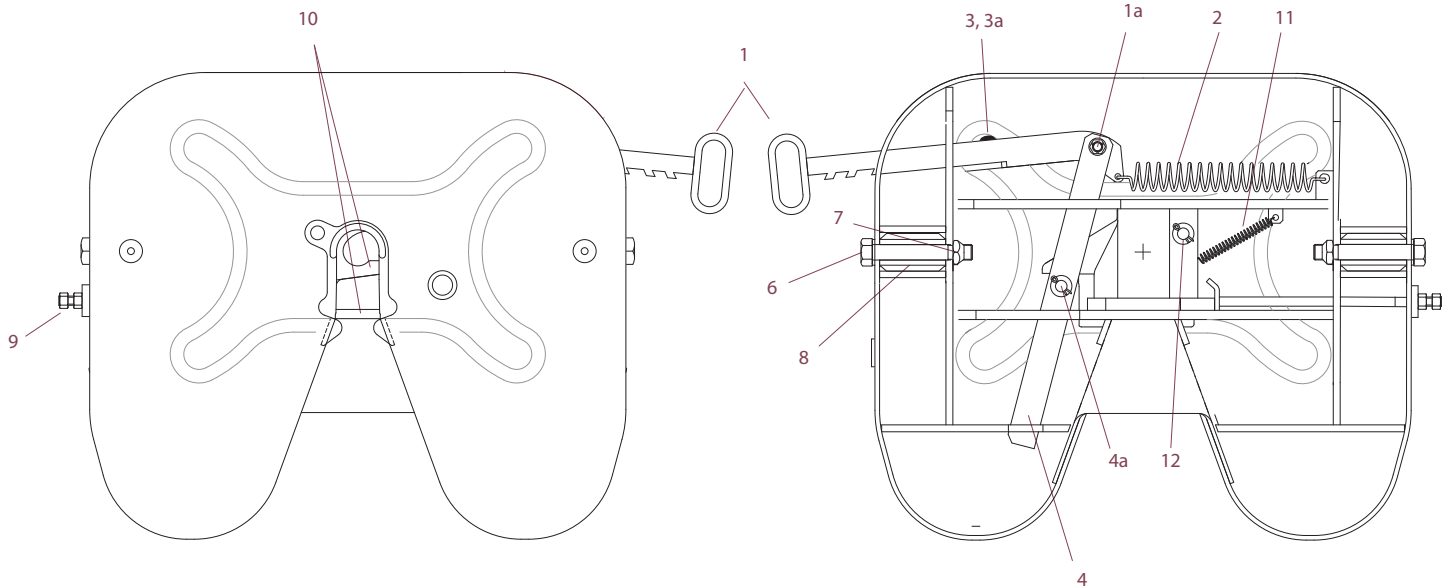


500 Series - Part Identification Guide



Call for further details

No.	Description	Kit*	Part No.
1	Release handle	-	-
1a	Release handle bolt and nut	-	-
2	Release handle spring	-	-
3	Release handle plunger	-	-
3a	Release handle plunger spring	-	-
4	Lever	-	-
5	Lever pin, washer and split pin	-	-
6	Pivot bolt	-	-
7	Pivot bolt nut	-	-
8	Pivot bush (sold as pair)	-	-
9	Adjuster rod assembly	-	-
10	Jaw kit	-	-
11	Jaw spring	-	-
12	Jaw pin, washer and split pin	-	-

No.	Description	Kit*	Part No.

*Repair Kits	Part No.

*Repair Kits	Part No.

Note: Certain parameters may be subject to change. D'Angelo Engineering Pty. Ltd. reserves the right to makes changes as required.