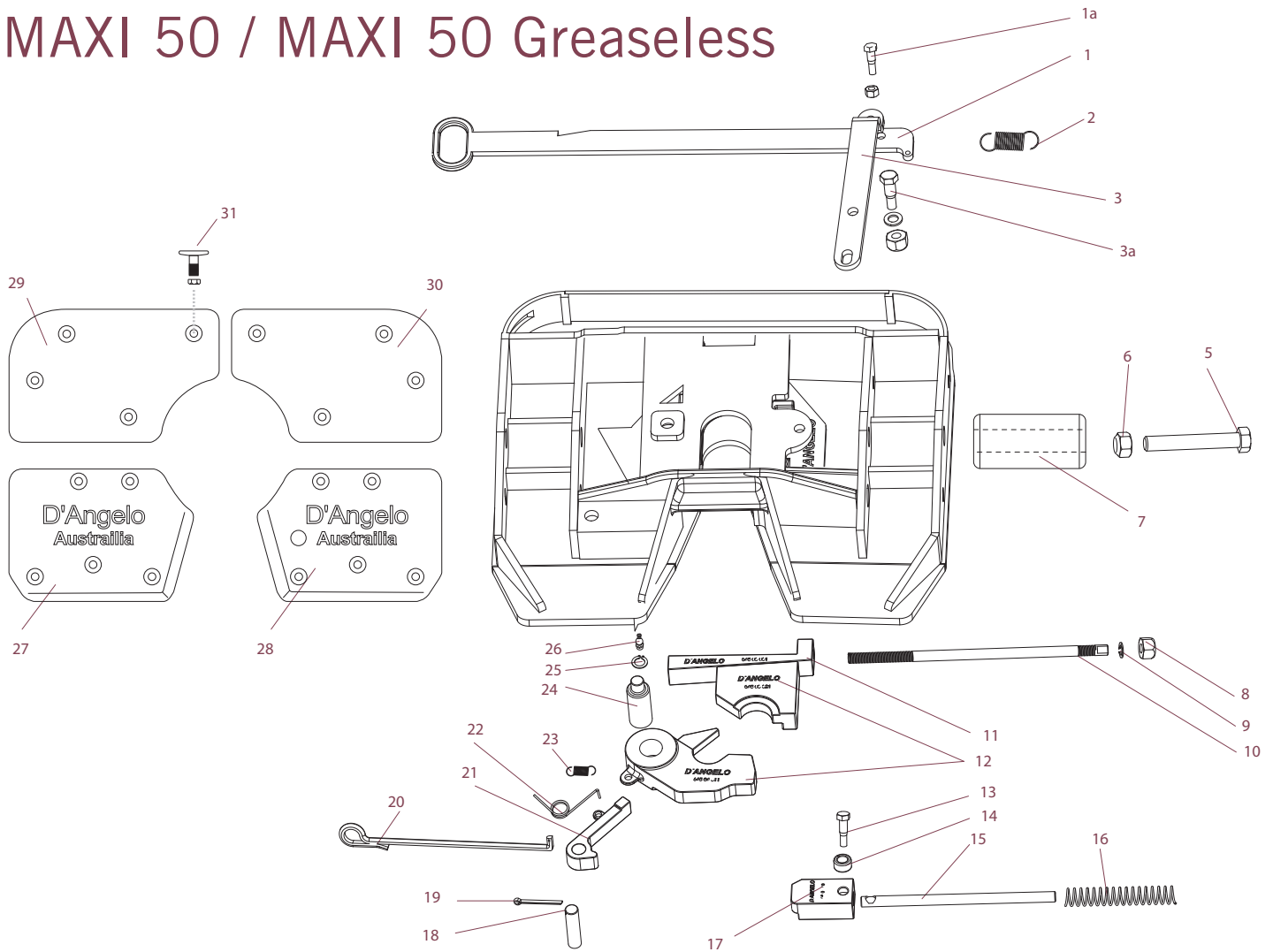


MAXI 50 / MAXI 50 Greaseless



No.	Description	Kit*	Part No.
1	Release handle	}	PDMRH
1a	Release handle bolt and nut		
2	Release handle spring	-	PDMRHS
3	Lever	}	PDML
3a	Lever bolt and nut		
5	Pivot bolt	c, g, h	-
6	Pivot bolt nut	c, g, h	-
7	Pivot bush (sold as pair)	c, f, g	-
8	Adjuster rod nut	}	PDMAR
9	Adjuster rod pin		
10	Adjuster rod		
11	Adjustment wedge	-	-
12	Jaw Kit (50mm)	a, b, c	-
13	Lock bar bolt	c, e	-
14	Lock bar bush	c, e	-
15	Lock bar rod	c, e	-

***Repair Kits**

Part No.

a	Basic Repair Kit	PDMJ50A
b	Medium Repair Kit	PDMJ50B
c	Major Repair Kit	PDMJ50C
d	Safety Kit	PDMSD

No.	Description	Kit*	Part No.
16	Lock bar spring	c, e	-
17	Lock bar	c, e	-
18	Safety pin	d	-
19	Safety pin split pin	d	-
20	Safety release handle	d	PDMSH
21	Safety	d	-
22	Safety spring	d	-
23	Jaw spring	a, b, c	-
24	Jaw pin	b, c	-
25	Jaw pin circlip	b, c	-
26	Jaw pin grease nipple	b, c	-
27	Greaseless Pad (front left)	-	PDMGPFL
28	Greaseless Pad (front right)	-	PDMGPFR
29	Greaseless Pad (rear left)	-	PDMGPRL
30	Greaseless pad (rear right)	-	PDMGPRR
31	Greaseless pad bolt kit (pack of 18)	-	PDMGPBK

***Repair Kits**

Part No.

e	Locking bar kit	PDMLBE
f	Foot bushes	PDFBF
g	Foot bush and pin kit	PDFFBFG
h	Foot pin kit	PDFPH

Note: Certain parameters may be subject to change. D'Angelo Engineering Pty. Ltd. reserves the right to makes changes as required.