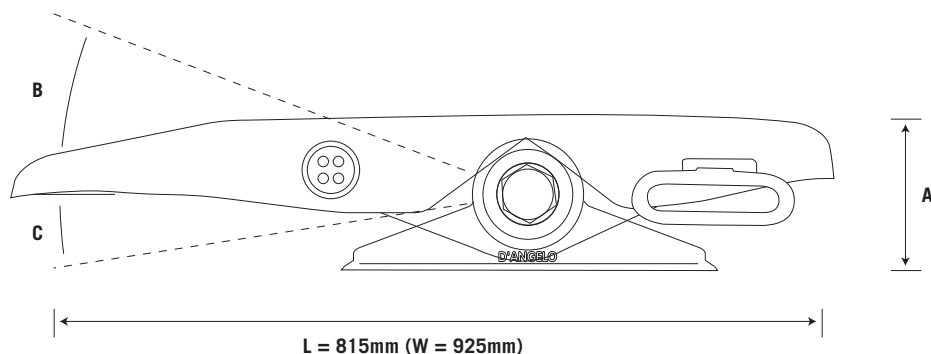


# 500 SERIES



**Top:** 500 Series  
**Jaw / Kingpin Sizes:** 50mm  
**Standards:** Tested to ADR 62/01  
**CRN:** 25070  
**D-Rating:** 165kN  
**Weight:** 125kg

Pedestal Type	Pedestal Part No.	Assembly Height (A)	Oscillation (B)	Oscillation (C)
73mm	PDEPEDW75	143mm	9°	10°
95mm	PDEPEDW95	165mm	12°	15°
118mm	PDEPEDW118	188mm	-	-
128mm	PDEPEDW130	198mm	18°	22°
163mm	PDEPEDW160	230mm	18°	22°

## Standard Bottom Assembly Dimension Reference

Assembly	Height (mm)	Width (mm)	Length (mm)	Weight (kg)
Fixed Plate (12mm / 16mm)	12mm / 16mm	1050mm	700mm	-
Single Row Ballrace	84mm	1050mm	1100mm	-
High Profile Ballrace (Mini 50 only)	105mm	1050mm	1100mm	-
Double Row Ballrace	114mm	1050mm	1100mm	-
Fixed Slide Rail	44mm	1045mm	1500mm	-
Ballrace Slide Rail	60mm + Ballrace Ass.	1045mm	2100mm	-
12" Greasy Plate	37mm	1050mm	1100mm	-
12" Greasy Plate Slide Rail	60mm + 12" Greasy Plate Ass.	1045mm	2100mm	-

**Note:** Certain parameters may be subject to change. D'Angelo Engineering Pty. Ltd. reserves the right to makes changes as required.